



MEASURING GUIDE

Prime Shower Door Mfg. provides a measuring service for \$25.00 . If you choose to measure yourself please use this form. You are responsible for your measurements. If the measurements you provide are incorrect and Prime is doing the installation there is a \$30.00 charge plus any changes that must be done to the enclosure. If you have any questions please call us at 516-433-2840.

***ALL MEASUREMENTS TO BE CENTERLINE**

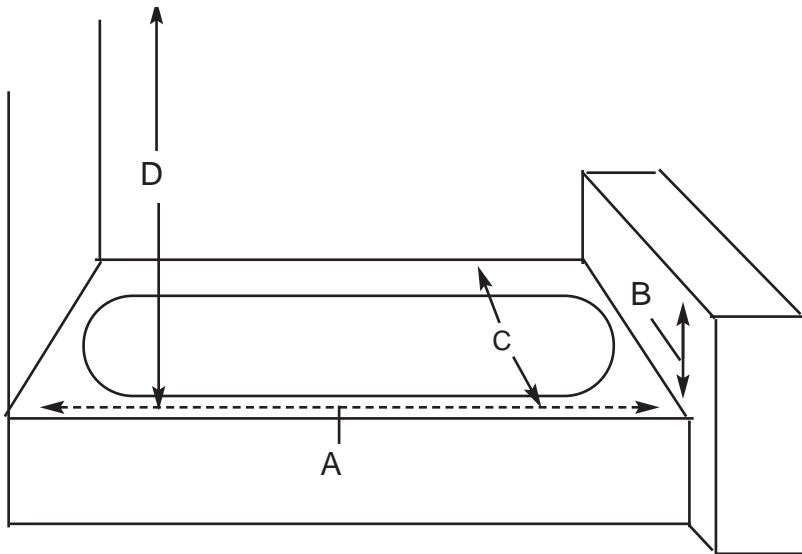
STYLE

CLASSIC SERIES - FRAMED	
MILLENNIUM SERIES - FRAMELESS	
CALIFORNIA SERIES - SEMI FRAMELESS	
3/8" FRAMELESS	

OPTIONS

GLASS TYPE	
METAL FINISH	
UNIT HEIGHT	

RECESSED TUB WITH RETURN PANEL ON BUTTRESS
MODEL#S 680 • #MT WITH 102



A _____
 B _____
 C _____
 D _____

UNIT AS SHOWN
 REVERSE

* (D) STD HT OR CUSTOM HT.

PLEASE FAX ALL ORDERS - (516) 433-2579 COMPANY: _____ PH# _____
 FROM: _____ P.O.# _____ SIGNATURE: _____
*****PLEASE NOTE IF ANY WALLS ARE NOT PLUMB*****