



MEASURING GUIDE

Prime Shower Door Mfg. provides a measuring service for \$25.00 . If you choose to measure yourself please use this form. You are responsible for your measurements. If the measurements you provide are incorrect and Prime is doing the installation there is a \$30.00 charge plus any changes that must be done to the enclosure. If you have any questions please call us at 516-433-2840.

***ALL MEASUREMENTS TO BE CENTERLINE**

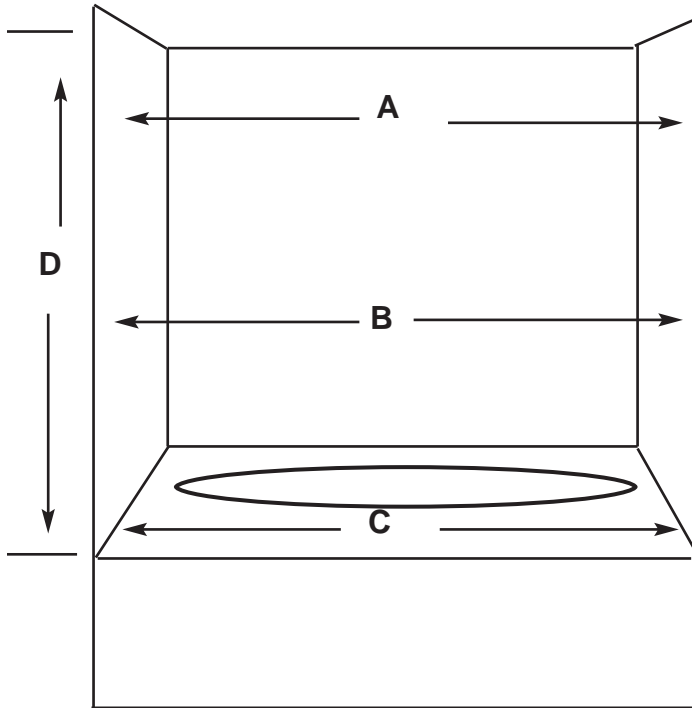
STYLE

CLASSIC SERIES - FRAMED	<input type="checkbox"/>
MILLENNIUM SERIES - FRAMELESS	<input type="checkbox"/>

OPTIONS

GLASS TYPE	<input type="text"/>
METAL FINISH	<input type="text"/>
UNIT HEIGHT	<input type="text"/>

**RECESSED TUB ENCLOSURE
MODEL#580 • MT5 48"-72" BYPASS ENCLOSURE**



A _____

B _____

C _____

D _____

Shower head

L R

PLEASE FAX ALL ORDERS - (516) 433-2579 COMPANY: _____ PH# _____

FROM: _____ P.O.# _____ SIGNATURE: _____

*****PLEASE NOTE IF ANY WALLS ARE NOT PLUMB*****