



## MEASURING GUIDE

Prime Shower Door Mfg. provides a measuring service for \$25.00 . If you choose to measure yourself please use this form. You are responsible for your measurements. If the measurements you provide are incorrect and Prime is doing the installation there is a \$30.00 charge plus any changes that must be done to the enclosure. If you have any questions please call us at 516-433-2840.

**\*ALL MEASUREMENTS TO BE CENTERLINE**

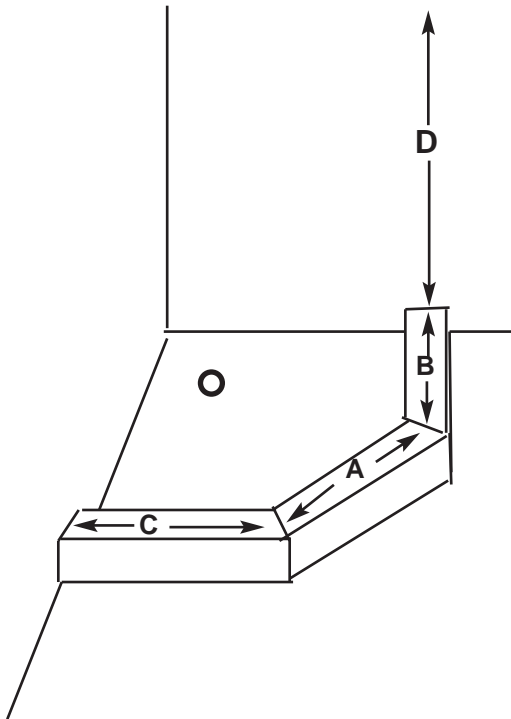
### STYLE

CLASSIC SERIES - FRAMED	
CALIFORNIA SERIES - SEMI FRAMELESS	
3/8" FRAMELESS	

### OPTIONS

GLASS TYPE	
METAL FINISH	
UNIT HEIGHT	

**NEO - ANGLE**  
 MODEL# 790 • CDNEO • 3/8 NEO



A \_\_\_\_\_

B \_\_\_\_\_

C \_\_\_\_\_

D \_\_\_\_\_

Hinge

L       R

**PLEASE FAX ALL ORDERS - (516) 433-2579** COMPANY: \_\_\_\_\_ PH# \_\_\_\_\_

FROM: \_\_\_\_\_ P.O.# \_\_\_\_\_ SIGNATURE: \_\_\_\_\_

**\*\*\*PLEASE NOTE IF ANY WALLS ARE NOT PLUMB\*\*\***