

MEASURING GUIDE

PRIME SHOWER DOOR MANUFACTURING
 765 SOUTH BROADWAY
 HICKSVILLE, N.Y. 11801
 PHONE 516-433-2840
 FAX 516-433-2579

ACCURATE MEASUREMENTS ARE IMPORTANT

To insure efficient and prompt processing of your Fax and Phone orders, you must furnish all the measurements in the measuring guide for each model shown. All enclosures will be manufactured at standard height unless otherwise specified. Study the Measuring Guide before you place an order. If you additional information please call or fax us.

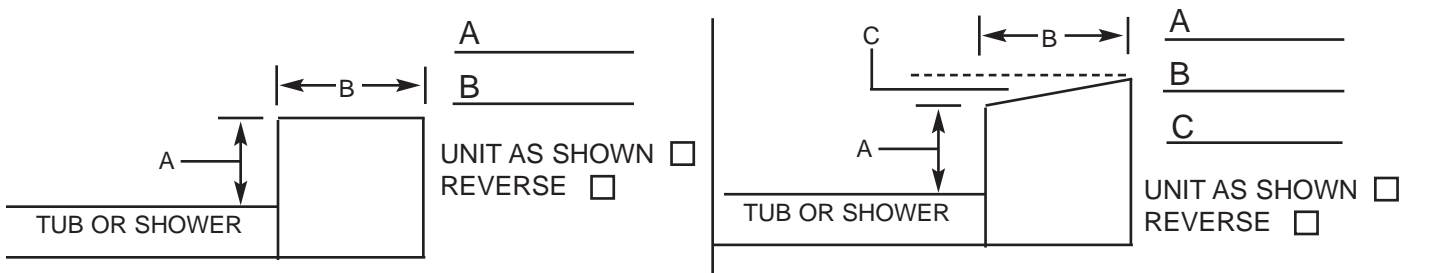
General Information

- Measure exact openings. prime will provide clearances and deductions.
- Center line measurements on all tub and shower stalls.
- Fill in chart for all walls and sills out of plumb.
- Specify left or right hinge for all hinged doors.
- Area being measured should be tiled, we require finished measurements.

STOCK UNIT HEIGHTS

Classic Series - Framed by-pass tub enclosure	- 57 3/4" height.
Classic Series - Framed by-pass shower enclosure	- 70 1/2" height.
Classic Series - Framed hinged enclosure	- 71 1/2" height.
Millennium Series - Frameless by-pass tub enclosure	- 57 3/8" height.
Millennium Series - Frameless by-pass shower enclosure	- 70 3/8" height.
California Series - Semi-Frameless shower enclosure	- 69" height.

HOW TO MEASURE VARIOUS TYPES OF BUTTRESSES

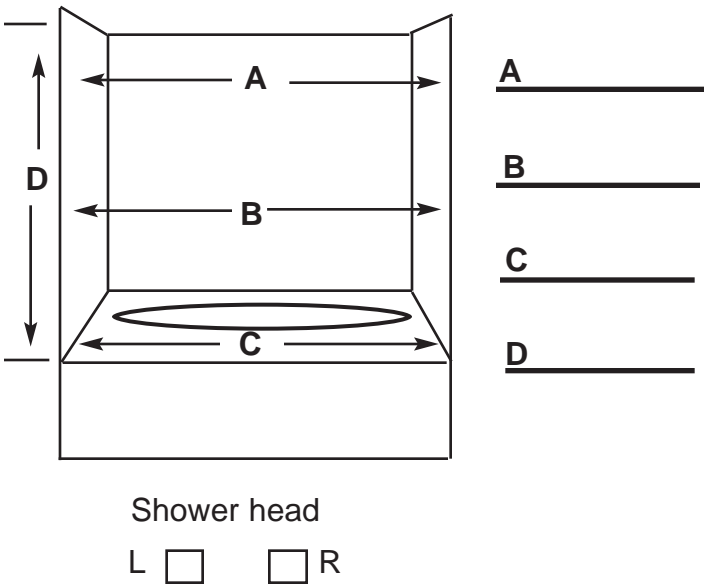


MEASURING GUIDE

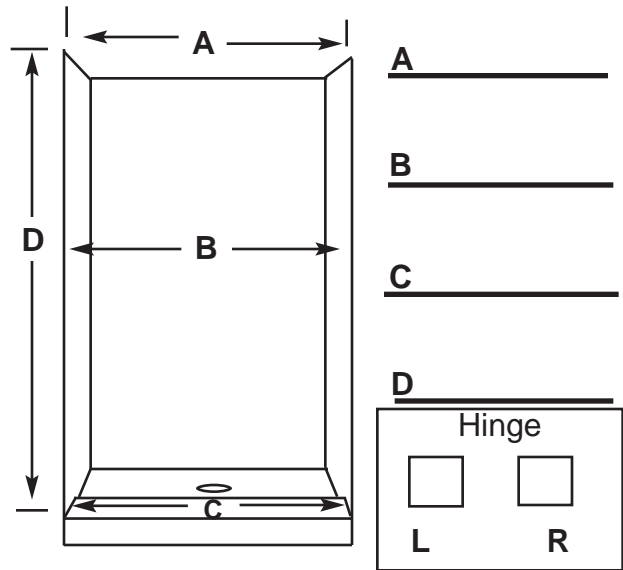
These illustrations show the four most common enclosures. Prime Shower Door Mfg. provides a measuring service for \$25.00 . If you choose to measure yourself please use this form. You are responsible for your measurements. If the measurements you provide are incorrect and Prime is doing the installation there is a \$30.00 charge plus any changes that must be done to the enclosure. If you have any questions please call us at 516-433-2840.

*ALL MEASUREMENTS TO BE CENTERLINE

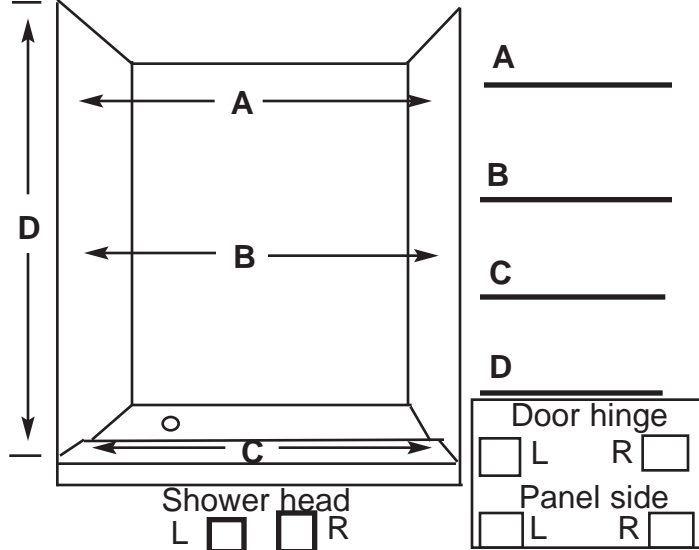
RECESSED TUB ENCLOSURE MODEL#580 • MT5 48"-72" BYPASS ENCLOSURE



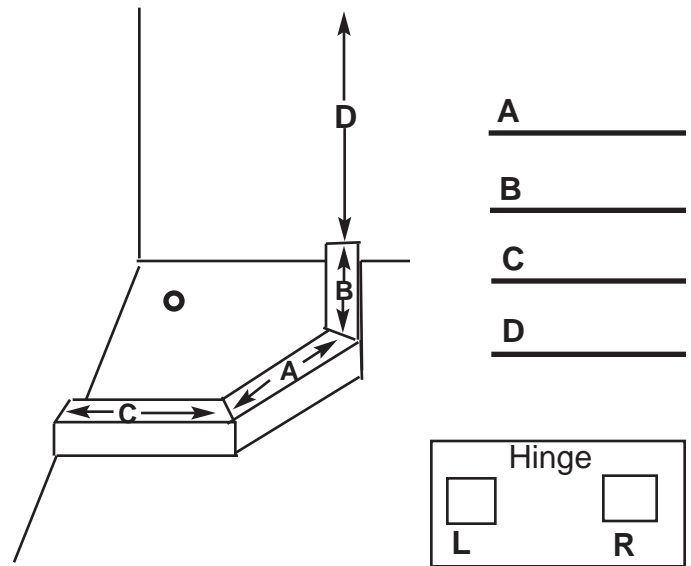
SINGLE DOOR STALL SHOWER MODEL#710 • CD • 3/8D -23"-30"



STALL SHOWER MODEL# 740 • 750 • MS • CDI 30" +



NEO - ANGLE MODEL# 790 • CDNEO



PLEASE FAX ALL ORDERS - (516) 433-2579 COMPANY: _____ PH# _____

FROM: _____ P.O.# _____ SIGNATURE: _____

*****PLEASE NOTE IF ANY WALLS ARE NOT PLUMB*****

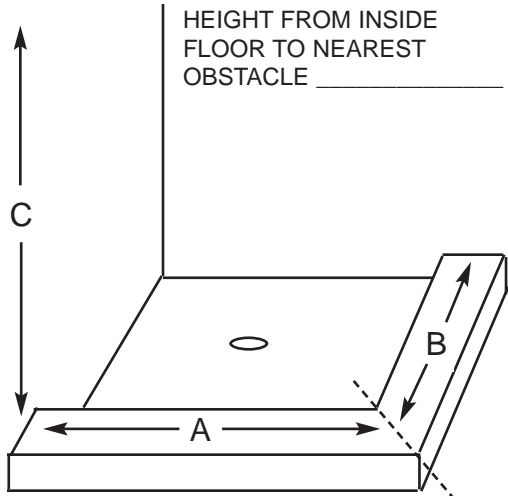
PLEASE FAX ALL ORDERS - (516) 433-2579 COMPANY: _____ PH# _____

FROM: _____ P.O.# _____ SIGNATURE: _____

*****PLEASE NOTE IF ANY WALLS ARE NOT PLUMB*****

PRIME SHOWER DOOR MEASURING GUIDE FAX TO 516-433-2579 ALL MEASUREMENTS 
QUESTIONS CALL 516-433-2840

CORNER STALL W/ 90° RETURN PANEL
 MODEL#S -780 • CDI90 • 3/8DPR



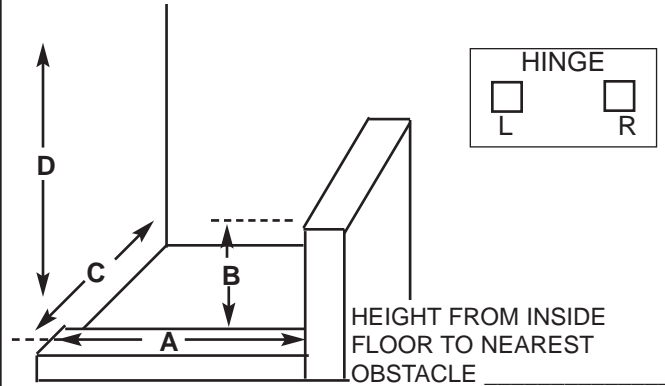
UNIT AS SHOWN
 REVERSE

FRONT
 DOOR SIDE L R
 PANEL SIDE L R

A _____
 B _____
 C _____

CORNER STALL W/ 90° RETURN
 PANEL ON BUTTRESS
 MODEL#S -780 • CDI90 • 3/8DPR

* (D) STD HT OR CUSTOM HT.

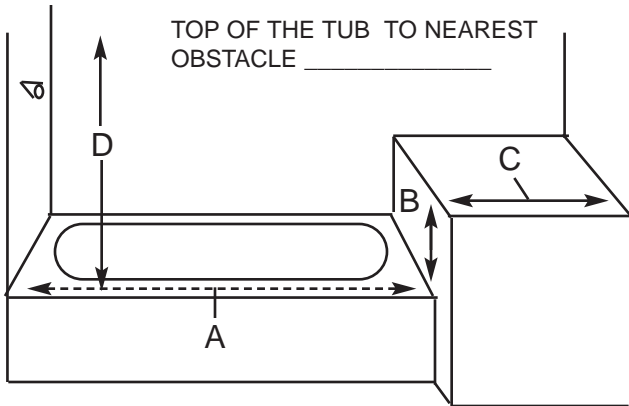


UNIT AS SHOWN
 REVERSE

FRONT
 DOOR SIDE L R
 PANEL SIDE L R

A _____
 B _____
 C _____
 D _____

RECESSED TUB WITH INLINE PANEL ON BUTTRESS
 MODEL#S 670 • #MT WITH 101



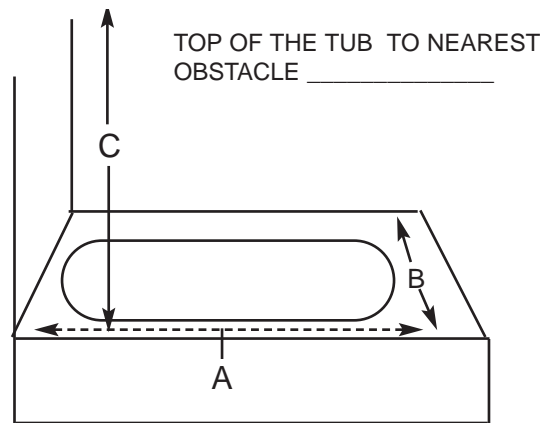
UNIT AS SHOWN
 REVERSE

A _____
 B _____
 C _____
 * D _____

* (D) STD HT OR CUSTOM HT.

PLEASE NOTE IF LEDGE
 IS PITCHED.

RECESSED TUB WITH RETURN PANEL
 MODEL#S 680 • #MT WITH 102



UNIT AS SHOWN
 REVERSE

A _____
 B _____
 C _____

* (D) STD HT OR CUSTOM HT.

METAL FINISH	GLASS	BY-PASS DOORS	NOTES
<input type="checkbox"/> CHROME	<input type="checkbox"/> OBSCURE	<input type="checkbox"/> EASY CLEAN	
<input type="checkbox"/> GOLD	<input type="checkbox"/> CLEAR	<input type="checkbox"/> REGULAR TRACK	
<input type="checkbox"/> OTHER	<input type="checkbox"/> OTHER		