



MEASURING GUIDE

Prime Shower Door Mfg. provides a measuring service for \$25.00 . If you choose to measure yourself please use this form. You are responsible for your measurements. If the measurements you provide are incorrect and Prime is doing the installation there is a \$30.00 charge plus any changes that must be done to the enclosure. If you have any questions please call us at 516-433-2840.

***ALL MEASUREMENTS TO BE CENTERLINE**

STYLE

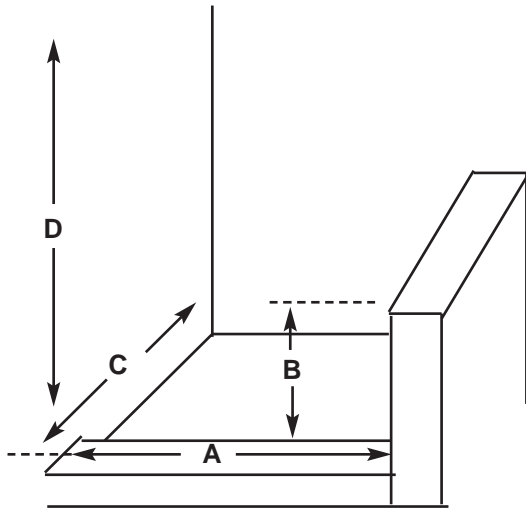
CLASSIC SERIES - FRAMED	<input type="checkbox"/>
MILLENNIUM SERIES - FRAMELESS	<input type="checkbox"/>
CALIFORNIA SERIES - SEMI FRAMELESS	<input type="checkbox"/>
3/8" FRAMELESS	<input type="checkbox"/>

OPTIONS

GLASS TYPE	<input type="text"/>
METAL FINISH	<input type="text"/>
UNIT HEIGHT	<input type="text"/>

CORNER STALL W/ 90° RETURN PANEL ON BUTTRESS
 MODEL#'S -780 • CDI90 • 3/8DPR

* (D) STD HT OR CUSTOM HT.



A _____
 B _____
 C _____
 D _____

HINGE
 L

UNIT AS SHOWN
 REVERSE

FRONT
 DOOR SIDE L R
 PANEL SIDE L R

PLEASE FAX ALL ORDERS - (516) 433-2579 COMPANY: _____ PH# _____

FROM: _____ P.O.# _____ SIGNATURE: _____

*****PLEASE NOTE IF ANY WALLS ARE NOT PLUMB*****