



MEASURING GUIDE

Prime Shower Door Mfg. provides a measuring service for \$25.00 . If you choose to measure yourself please use this form. You are responsible for your measurements. If the measurements you provide are incorrect and Prime is doing the installation there is a \$30.00 charge plus any changes that must be done to the enclosure. If you have any questions please call us at 516-433-2840.

***ALL MEASUREMENTS TO BE CENTERLINE**

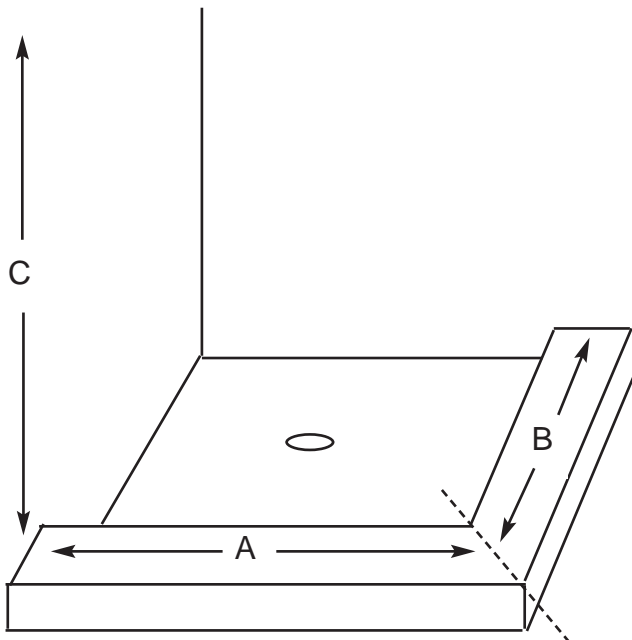
STYLE

| | |
|------------------------------------|--------------------------|
| CLASSIC SERIES - FRAMED | <input type="checkbox"/> |
| CALIFORNIA SERIES - SEMI FRAMELESS | <input type="checkbox"/> |
| 3/8" FRAMELESS | <input type="checkbox"/> |

OPTIONS

| | |
|--------------|----------------------|
| GLASS TYPE | <input type="text"/> |
| METAL FINISH | <input type="text"/> |
| UNIT HEIGHT | <input type="text"/> |

CORNER STALL W/ 90° RETURN PANEL
MODEL#'S -780 • CDI90 • 3/8DPR



A _____
 B _____
 C _____

HINGE
 L

UNIT AS SHOWN
 REVERSE

FRONT
 DOOR SIDE L R
 PANEL SIDE L R

PLEASE FAX ALL ORDERS - (516) 433-2579 COMPANY: _____ PH# _____

FROM: _____ P.O.# _____ SIGNATURE: _____

*****PLEASE NOTE IF ANY WALLS ARE NOT PLUMB*****